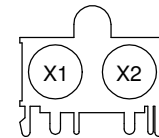
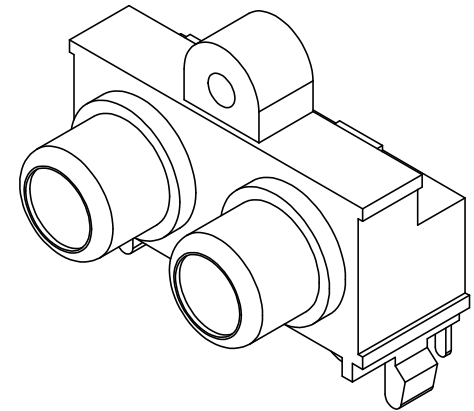
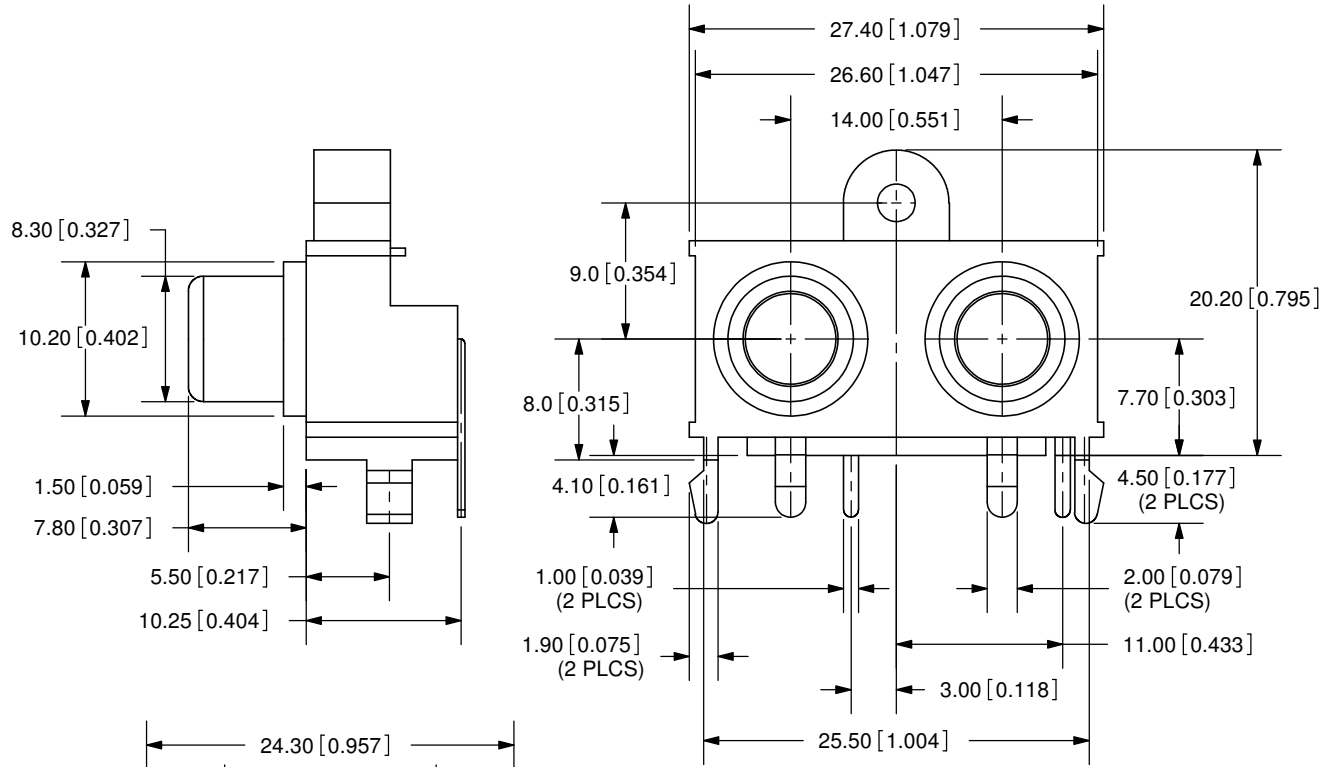
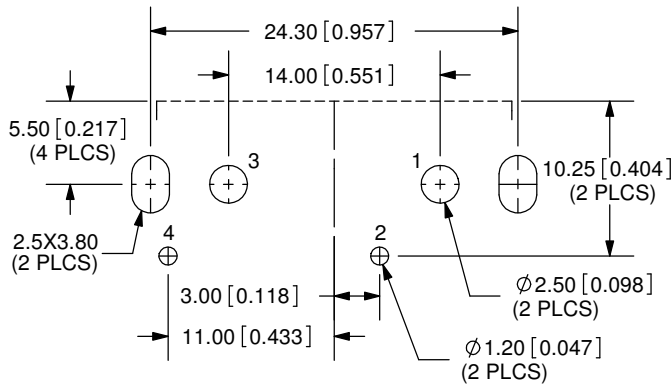


REV.	DESCRIPTION	DATE
A	NEW DRAWING	6/13/2007



SPECIFICATIONS:
 RATING: 24V DC @ 5A
 CONTACT RESISTANCE: 30m OHMS MAX
 INSULATION RESISTANCE: 100M OHMS MIN: 500V DC
 VOLTAGE WITHSTAND: 500V AC R.M.S. FOR 1 MINUTE
 LIFE: 5,000 CYCLES

TOLERANCE:
 ±0.3mm UNLESS OTHERWISE SPECIFIED



PCB LAYOUT
TOP VIEW

MODEL NO.	RCJ-21XX
SCHMATIC	

COLOR CHART	
1	Black
2	Red
3	White
4	Yellow
5	Blue
6	Green

COLOR INDEX		
PART NO.	INPUT X1	INPUT X2
RCJ-2121	Red Color	Black Color
RCJ-21X1 X2	Color X1	Color X2

	MATERIAL	PLATING
BARREL (1)	Bronze	Nickel
TERMINAL (2)	Bronze	Tin
TERMINAL (3)	Bronze	Tin
BASE	ABS	Black Color
COVER	ABS	Black Color
INPUT X2	PBT	see color index
INPUT X1	PBT	see color index



20050 SW 112th Ave.
 Tualatin, OR 97062
 Phone: 503-612-2300
 800-275-4899
 Fax: 503-612-2383
 Website: www.cui.com

TITLE:	RCA Jack, Dual, Rt Angle, PCB Mount, Vert.	REV:	A
PART NO.	RCJ-21XX	UNITS:	MM [INCHES]
DRAWN BY:	ZRJ	APPROVED BY:	
		SCALE:	2:1

PC FILE NAME:
RCJ-21XX

COPYRIGHT 2007 BY CUI INC.